



VIVID FILM SCREENS



TAB TENSION SERIES
USER MANUAL

CONTENTS

VIVID MODELS

VFS120TT, VFS108TT, VFS190TT



| | | | |
|-------------------------------|-----------|--------------------------|-----------|
| INTRODUCTION | 04 | MAINTENANCE | 12 |
| · copyright | | · maintaining & cleaning | |
| · included in box | | · troubleshooting | |
| PRECAUTIONS | 06 | FEATURES | 14 |
| · safety rules | | · specification data | |
| · environmental condition | | · wiring instruction | |
| · attention for installation | | | |
| INSTALLATION | 08 | | |
| · installation options | | | |
| · installation of control box | | | |
| · testing operation | | | |
| · fine adjustment | | | |

INTRODUCTION

Dear Customer!

Congratulations on making your purchase. We hope you enjoy using your new projection screen.

In order to make each viewing a unique video-cinema experience, we have provided this user manual containing detailed information about installing and operating your new projection screen.

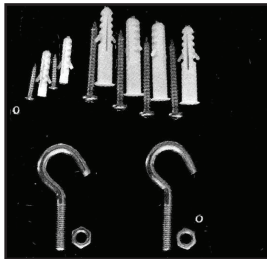
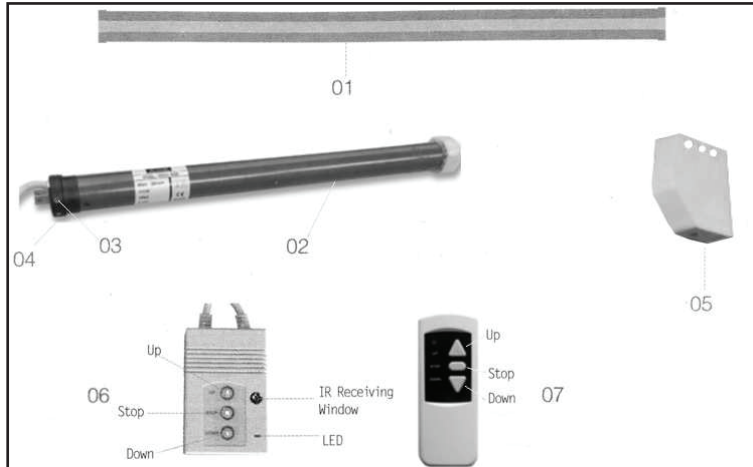
Be sure to read through all the information in this manual before using and/or attempting to install the equipment.

Please note that your warranty will become void in the event that the equipment is handled, installed, or operated incorrectly.

The contents of this user manual will guide you through the proper handling, installing, and operating of your new Vivid projection screen.

Included in Box:

- motorized screen (1)
- remote (1)
- control box (1)
- user manual (1)
- 12V battery (1)
- MT 3.9x40 self tapping screws (4)
- Φ 8 x 40 plastic anchors (4)
- ring M6 mounted parts (2)
- M6 screw caps (4)
- 4x20 self tapping screws (2)
- Φ 6x30 plastic anchors (2)



Internal Structure of Important Parts

- 01. Screen Housing
- 02. Tubular Motor
- 03. Up Limit Switch
- 04. Down Limit Switch
- 05. End Cap
- 06. Control Box
- 07. Remote Control

DECLARATION

The projection screen was checked, tested and found to be faultless before shipment was effected.

PRECAUTIONS

Safety Rules

- 1) The environment must be dry where the screen is used.
- 2) The control box and motor must be maintained by professionals. Otherwise it might cause severe accident if you open and remove the housing.
- 3) Never clean the housing and remote controller with watery towel or wash them directly with water. It may cause severe accident, or even casualty.

4) Do not stand near the screen, when extending or retracting.

5) Do not attach any objects on the screen.

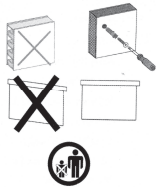


Environmental Condition

- 1) The environment temperature should be between -5°C and 40°C and humidity should be lower than 90%.
- 2) Indoor use only.
- 3) There are no wireless or infrared signal with high frequency nearby, such as electric welding machines, medical treatment equipment or ventilated establishment.
- 4) There should be at least 1 meter distance away from other electrical appliance.

Attention For Installation

- 1) The screen should be mounted indoors.
- 2) Please make sure that the selected installation structures are sturdy enough and suitable for the screen.
- 3) Keep the screen housing horizontal (using horizontal level)
- 4) Dangerous for children, the installation should be performed by adults only.



INSTALLATION

Installation Options

You have three options to choose for installing your motorized screen, based on your specific environment. Please read the instruction below carefully before starting to install.

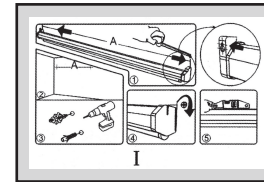
Option 1: Wall Mounting

Use a tape to measure the distance between the two holders on the housing (figure 1.)

According to the measurement, drill two identical holes on the wall and ensure they are level (figure 2&3).

Screw in the appropriate screws and then fix the screen on the wall (figure 4)

Use a horizontal level to check whether the screen is level or not. (figure 5)



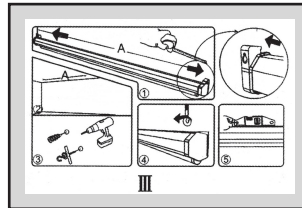
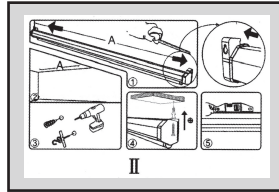
Option 2: Ceiling Mounting

Use a tape to measure the distance between the two holders on the housing (figure 1.)

According to the measurement, drill two identical holes on the ceiling and ensure they are level (figure 2&3).

Drive the screws directly into the keyholes to fix the screen on the ceiling (figure 4)

Use a horizontal level to check whether the screen is level or not. (figure 5)



Option 3: Hanging Mounting

Use a tape to measure the distance between the two holders on the housing (figure 1.)

According to the measurement, drill two identical holes on the ceiling and ensure they are level (figure 2&3).

Put the plastic anchor into the holes and Screw in the ring M6 mounted parts. Then use the hook on the ring to hang the keyholes on screen end cap. (figure 4)

Use a horizontal level to check whether the screen is level or not. (figure 5)

Installation of Control Box

You can now mount the control box on the wall with the mounting set included in the accessories. Please proceed as follows:

- a. Use metal bracket and mark two points on the wall.
- b. Drill two identical holes in the wall.

c. Insert a Φ 6X30 plastic anchor into each hole, then screw the 4X20 self tapping screw through the metal bracket in order to fix it.

d. Slip the control box into the bracket from up to down.

Testing Operation

After installation your screen is now ready for testing.

a. First, make sure the screen is installed firmly after being mounted.

b. Check for convenient power AC outlet. Then connect the power supply, the LED on the control box will turn green. Check whether all connections are correct.

c. Check whether the control box is functioning by pressing the up, stop and down buttons in sequence and watch the action of screen canvas.

d. Install the 12V battery in the compartment on the back of the remote control. Check whether the remote control is functioning by pressing the up, stop and down buttons in sequence and watch the action of screen canvas. The effective distance of the remote control is 8-10M.

Fine Adjustment

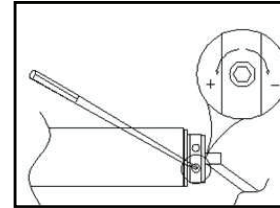
The upper margin has been set before delivery. If you need to alter the adjustment of "Up Limit Switch" and "Down Limit Switch", proceed as follows:

a. The adjustment alternatives can be found on the motor side (to the left of the projection screen). Look up into the housing. You only need to adjust the Down Limit Switch. (See page 2)

b. You will need the yellow hexagonal stick (included in packing) to turn the switch.

c. If the upper margin is too long, please turn the limit switch with screw driver counter-clockwise to decrease the length of the upper margin, then run the screen down to test the stop position. You can repeat this process until desired position is reached.

d. If the upper margin is too short, please turn the limit switch clockwise to increase the length of the upper margin, then run the screen down to test the stop position. You can repeat this process until desired position is reached.



Cautions:

The adjustment of the upper margin has already been made by the manufacturer and should normally not require re-adjustment.

The projection screen canvas could be severely damaged if it can extend too far or retract too short.

If possible, please contact your local retailer for professional support. The holes for adjustment are usually sealed. Warranty void if the seal is removed without manufacturer's consent. Please proceed with caution.

MAINTENANCE

MAINTAINING AND CLEANING

The screen housing can be cleaned when the screen is unplugged. Do not use watery towel or wash it with water directly.

The screen canvas should be cleaned by dry towel. Do not touch screen surface directly to avoid damage, scratch and pollution.

Never hang anything on the screen housing to prevent over-burden.

Cut off electricity and retract the canvas when not in use.

TROUBLESHOOTING

Screen does not operate:

-Incorrect power supply-

Check the type of power supply and see whether it is correctly connected

-Thermal Overload-

Stop the system for 15 minutes and try again

Canvas did not stop at pre-set position when retracting and extending:

-Limit Switch Lost-

Press the stop button to end screen action. Then reset the up and down limit switch; See page 6 "Fine Adjustment"

Remote control doesn't work, control box works correctly:

-Wrong (+) and (-) pole for battery-

Check the (+) and (-). Change the direction if it is wrong

-Programming in the control box is lost-

Point the remote control to the control box in the front side. Press any key on the remote for 8 seconds and you will hear a long consecutive ring, which means the remote is re-programmed.

Noise

-Foreign objects attached on housing, roller or fabrics-
Remove the foreign objects

-Noise in motor gear-
Replace with a new motor

FEATURES

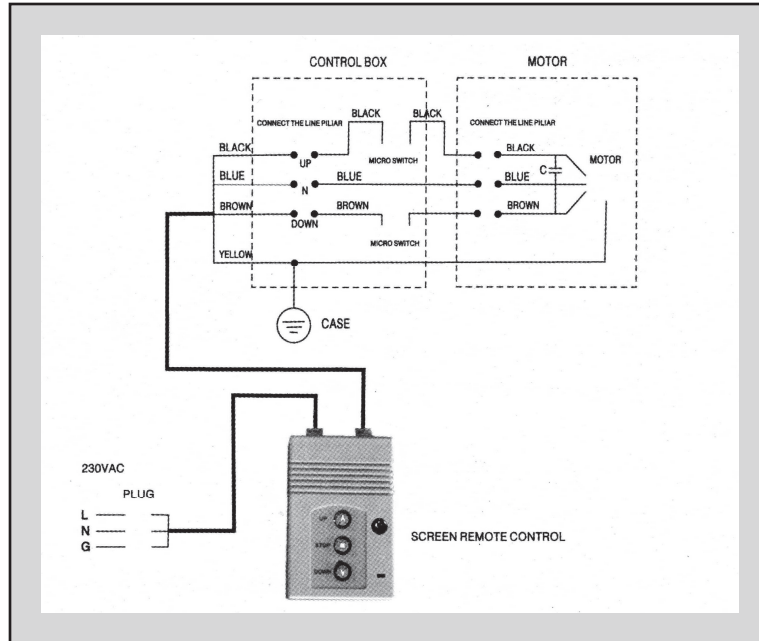
Specification Data

Power Supply: 120V~60Hz

Output: 14W

Operating Temperature:
10-40°C

Maximum Remote Control
Range: 8-10M



Wiring Instructions



WWW.SKYWALKER.COM

9390 VETERANS MEMORIAL PKWY, O'FALLON, MO 63366 | 800.844.9555