



INSTALLATION INSTRUCTIONS
ROY7506b Universal Ceiling Mount




**SUPPORTS
UP TO 165LBS**

NOTE: Read entire instruction sheet before you start installation and assembly

WARNING

- If you are unsure of any part of the process, contact a professional contractor or installer for assistance. Improper installation can result in injury or damage.
- The wall or mounting surface must be capable of supporting the combined weight of the mount and the display; if not, the structure must be reinforced.
- Locate pipes, wires, or any other hazards in the wall where you wish to install the mount before drilling.
- Safety gear and proper tools must be used. Failure to do so can result in injury or damage.
- A minimum of two people are required for installation. Do not attempt to install this mount alone under any circumstances.
- Follow all instructions and recommendations regarding adequate ventilation and suitable locations for mounting your display. Consult the owner's manual regarding your particular display for more information.

 **CAUTION:** This wall mount is intended for use only with the maximum weight of 75 kg (165 lbs). Using this mount to support weights exceeding the indicated maximum may result in instability causing possible injury.

Component Checklist

IMPORTANT: Ensure you have the received all parts against the component checklist prior to installing. If any parts are missing or faulty, contact your local distributor.



(A) M4x12 Bolt (x4)



(B) M4x30 Bolt (x4)



(C) M4 Lock Washer (x4)



(D) M5x12 Bolt (x4)



(E) M5x30 Bolt (x4)



(F) M5 Lock Washer (x4)



(G) M6x12 Bolt (x4)



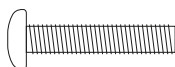
(H) M6x35 Bolt (x4)



(I) M6 Lock Washer (x4)



(J) M8x16 Bolt (x4)



(K) M8x40 Bolt (x4)



(L) M8 Lock Washer (x4)



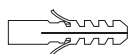
(M) Small Spacer (x4)



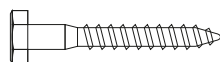
(N) Large Spacer (x4)



(O) M6 Washer (x4)



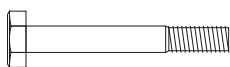
(P) Concrete Anchor (x4)



(Q) M10x80 Lag Bolt (x4)



(R) Lag Bolt Washer (x4)



(S) Carriage Bolt (x2)



(T) Hex Nut (x2)

HARDWARE KIT

- (A) M4 x 12 Bolt (x4)
- (B) M4 x 30 Bolt (x4)
- (C) M4 Lock Washer (x4)
- (D) M5 x 12 Bolt (x4)
- (E) M5 x 30 Bolt (x4)
- (F) M5 Lock Washer (x4)
- (G) M6 x 12 Bolt (x4)
- (H) M6 x 35 Bolt (x4)
- (I) M6 Lock Washer (x4)
- (J) M8 x 16 Bolt (x4)
- (K) M8 x 40 Bolt (x4)
- (L) M8 Lock Washer (x4)
- (M) Small Spacer (x4)
- (N) Large Spacer (x4)
- (O) M6 Washer (x4)
- (P) Concrete Anchor (x4)
- (Q) M10 x 80 Lag Bolt (x4)
- (R) Lag Bolt Washer (x4)
- (S) Carriage Bolt (x2)
- (T) Hex Nut (x2)

BOX CONTENTS

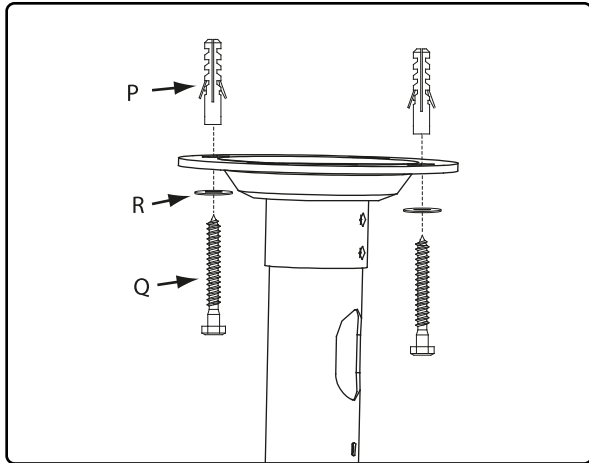
- Ceiling Mount (x1)
- Mount Arm (x2)
- Instruction Manual (x1)
- Hardware Kit (x1)

TOOLS REQUIRED

- Phillips Screwdriver
- Socket
- Electric Drill
- Drill Bit (for Wood Installations)
- Stud Finder (for Wood Installations)
- Masonry Bit (for Concrete Installations)
- Marking Pen
- Hammer
- Level

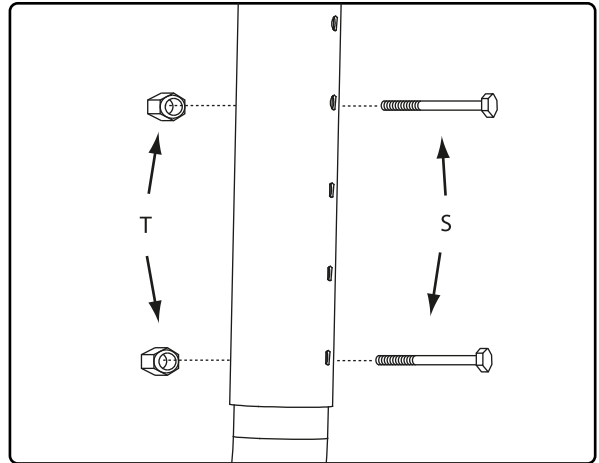
1. ATTACHING CEILING PLATE

1. Attach the upper portion of the mount to the ceiling using the four (4) Lag Bolts (Q) and Lag Bolt Washers (R). Use the Concrete Anchors (P) only if you are installing the mount to a concrete ceiling.



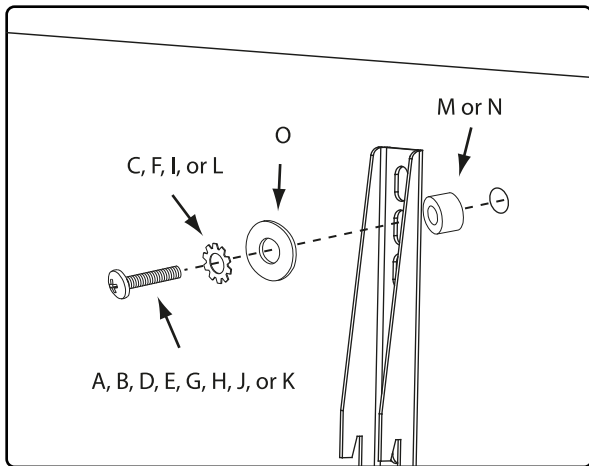
2. MOUNT HEIGHT

1. Insert the lower portion of the mount into the upper portion and adjust to the desired height. Fix the mount in place using the Carriage Bolts (S) and Hex Nuts (T) supplied. Both bolts and nuts must be used at all times.



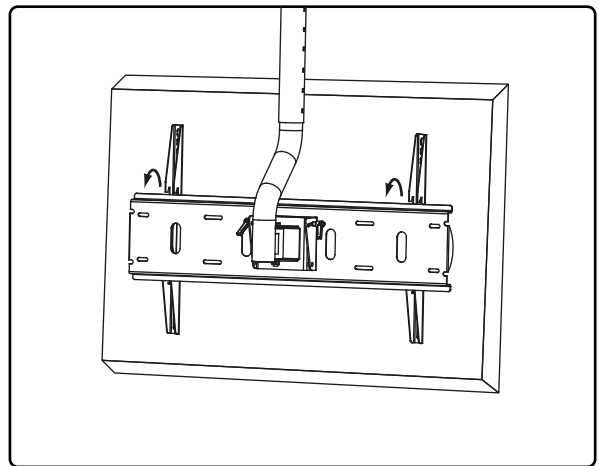
3. ATTACHING MOUNT ARMS

1. Attach the mount arms to your display using the bolts supplied with your display or the appropriate hardware from the kit (A - O). Use a Lock Washer (C, E, I, L) and M6 Washer (O) if needed. Spacers (M, N) should only be used for displays with curved backs or recessed mounting holes.



4. HANGING DISPLAY

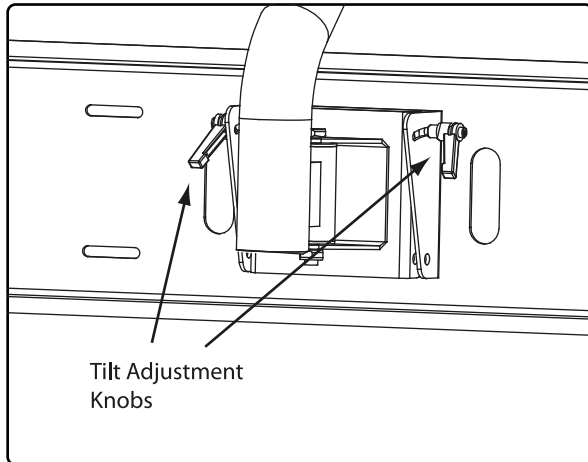
1. With the help of another person, hook the display with the mounting arms attached onto the lower portion of the mount. Tighten the security screws on the bottom of the arms to make sure the display is not accidentally knocked from the mount.



⚠ WARNING

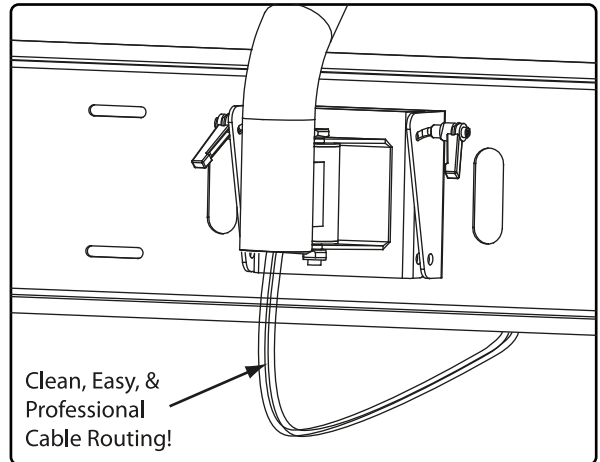
5. ADJUSTMENTS

1. To set the tilt, have one person hold the display firmly while another loosens the tilt adjustment knobs. Move the display to the desired tilt angle and retighten the adjustment knobs.



6. CABLE ROUTING

1. Cables can be routed through the ceiling and to the display through the drop-pole of the mount for a clean-professional finish.



**PLEASE INSPECT THE MOUNT EVERY TWO MONTHS
TO ENSURE THAT ALL SCREWS ARE TIGHTENED PROPERLY.**

If you have any doubts regarding installation, be sure to consult with a professional.



Designed & Manufactured by Skywalker Communications
Headquarters: 9390 Veterans Memorial Parkway, O'Fallon, MO 63366 USA
(800) 844-9555 info@skywalker.com

