



INSTALLATION INSTRUCTIONS
ROY7505b Universal Projector Mount



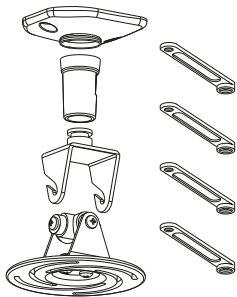
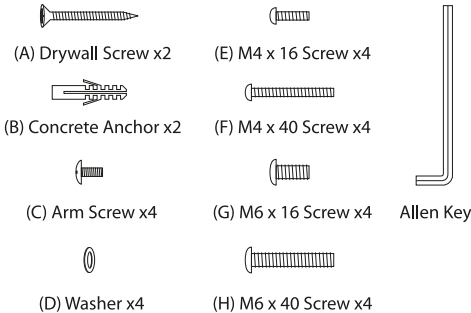
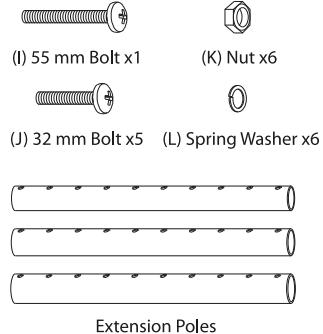
NOTE: Read entire instruction sheet before you start installation and assembly

⚠ WARNING

- If you are unsure of any part of the process, contact a professional contractor or installer for assistance. Improper installation can result in injury or damage.
- The wall or mounting surface must be capable of supporting the combined weight of the mount and the display; if not, the structure must be reinforced.
- Locate pipes, wires, or any other hazards in the wall where you wish to install the mount before drilling.
- Safety gear and proper tools must be used. Failure to do so can result in injury or damage.
- Follow all instructions and recommendations regarding adequate ventilation and suitable locations for mounting your display. Consult the owner's manual regarding your particular display for more information.

Component Checklist

IMPORTANT: Ensure you have received all parts against the component checklist prior to installing. If any parts are missing or faulty, contact your local distributor.

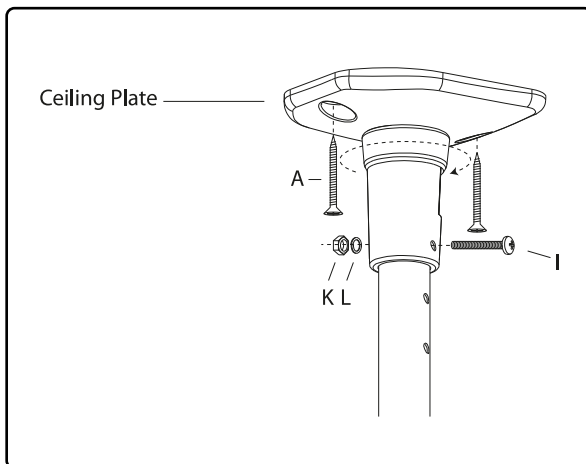
| Projector Mount | Hardware Kit | Extension Kit |
|---|--|---|
|  |  |  |

TOOLS REQUIRED: Phillips Screwdriver, Electric Drill, Drill Bit (for Wood Installations), Stud Finder (for Wood Installations), Masonry Bit (for Concrete Installations), Marking Pen, Hammer

Installation Instructions

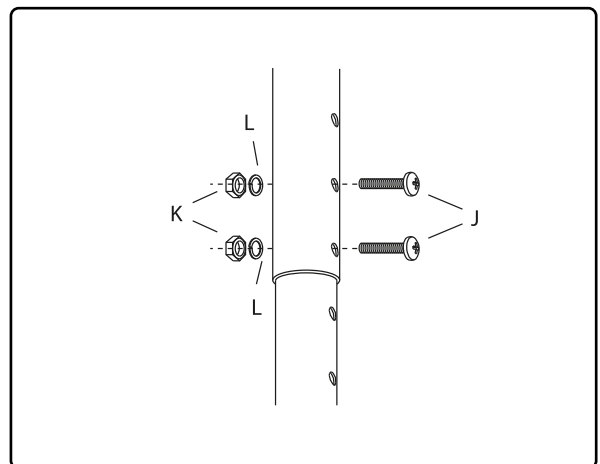
1. ATTACHING CEILING PLATE

1. Attach the Ceiling Plate (see diagram) in the desired location using the Drywall Screws (A). You must attach the mount to a wooden joist or a concrete ceiling. If you are attaching the mount to a concrete ceiling, use the Concrete Anchors (B).



2. MOUNT EXTENSIONS

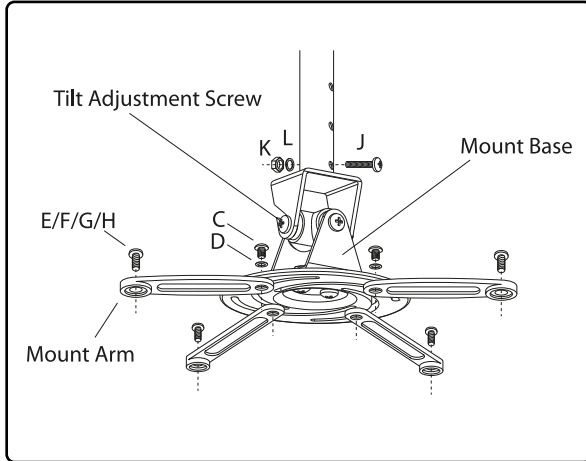
1. Assemble the mount extension poles as shown in the diagram. Make sure all screws and bolts are snug, but do not over-tighten. NOTE: Repeat steps in diagram to connect the additional extension poles.



Installation Instructions

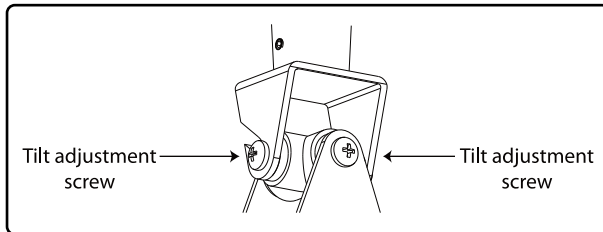
3. CONNECTING MOUNT ARMS & PROJECTOR

1. Carefully assemble the Mount Base as show in the diagram. Attach your projector to the Mount Arms (see diagram) by choosing the correct hardware from the kit (E, F, G, or H). Make sure your projector is facing the correct direction before tightening the screws. Connect the Mount Base to the Extension assembly.



4. COMPLETING ASSEMBLY

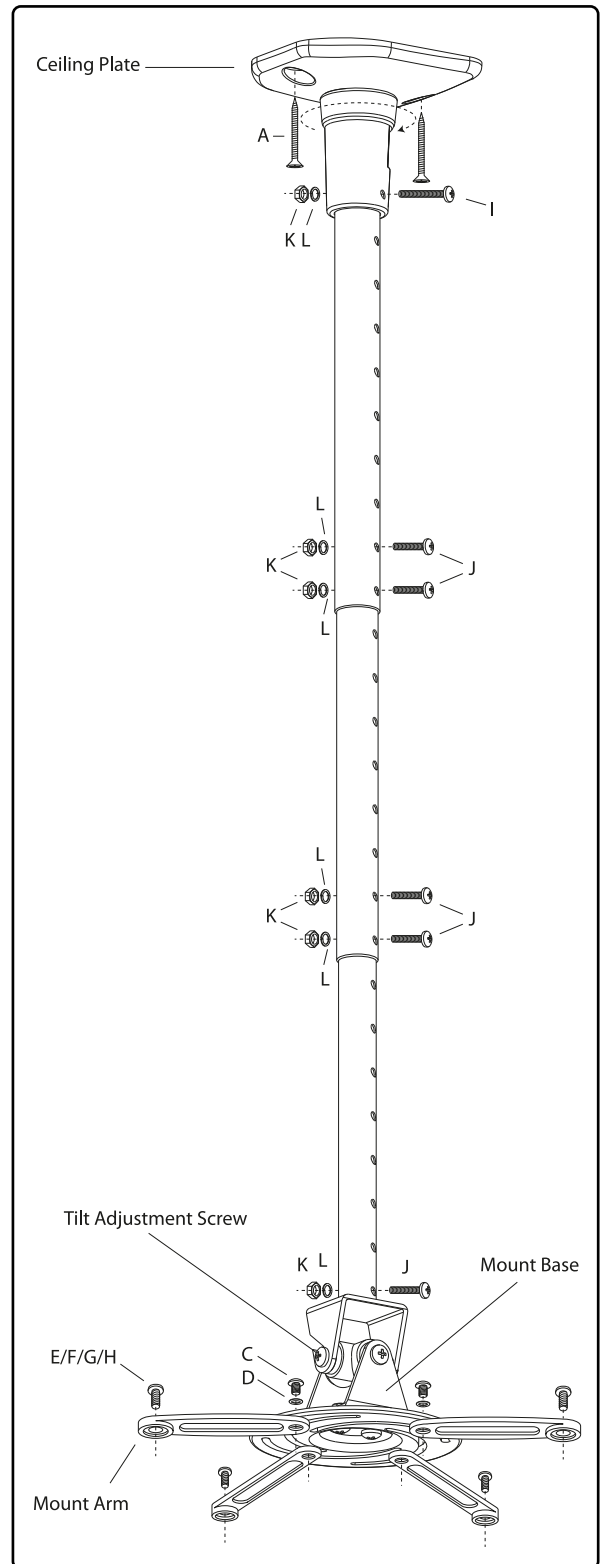
1. Adjust the tilt to the desired location and tighten the Tilt Adjustment Screws (see diagram). There is one screw on each side of the mount.



Adjustment

1. To change the tilt of your projector, first loosen the screws located on both sides of the Mount Base. Move the projector into the desired position and re-tighten the screws.

WARNING: When adjusting the tilt, only turn the mount enough to reach the desired direction. DO NOT CONTINUALLY FORCE THE PROJECTOR IN A PARTICULAR DIRECTION! This can cause the mount to come apart and may cause injury or damage.



**PLEASE INSPECT THE MOUNT EVERY TWO MONTHS
TO ENSURE THAT ALL SCREWS ARE TIGHTENED PROPERLY.**

If you have any doubts regarding installation, be sure to consult with a professional.



Designed & Manufactured by Skywalker Communications
Headquarters: 9390 Veterans Memorial Parkway, O'Fallon, MO 63366 USA
(800) 844-9555 info@skywalker.com

