



INSTALLATION INSTRUCTIONS
ROY7504b Universal Projector Mount



NOTE: Read entire instruction sheet before you start installation and assembly

⚠ WARNING

- If you are unsure of any part of the process, contact a professional contractor or installer for assistance. Improper installation can result in injury or damage.
- The wall or mounting surface must be capable of supporting the combined weight of the mount and the display; if not, the structure must be reinforced.
- Locate pipes, wires, or any other hazards in the wall where you wish to install the mount before drilling.
- Safety gear and proper tools must be used. Failure to do so can result in injury or damage.
- Follow all instructions and recommendations regarding adequate ventilation and suitable locations for mounting your display. Consult the owner's manual regarding your particular display for more information.

Component Checklist

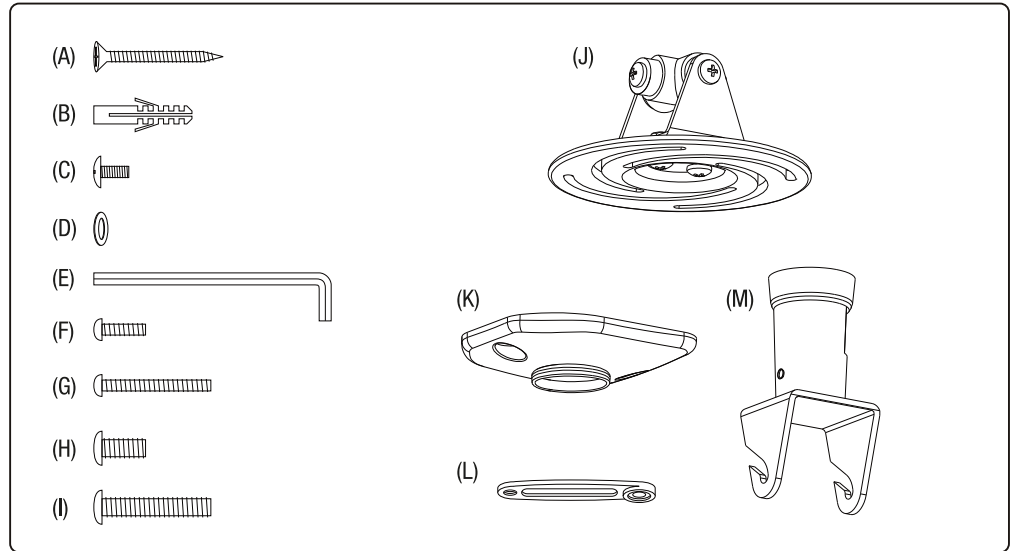
IMPORTANT: Ensure you have the received all parts against the component checklist prior to installing. If any parts are missing or faulty, contact your local distributor.

HARDWARE KIT

- (A) Drywall Screw (x2)
- (B) Concrete Anchor (x2)
- (C) Arm Screw (x4)
- (D) Washer (x4)
- (E) Allen Key (x1)
- (F) M4 x 16 Screw (x4)
- (G) M4 x 40 Screw (x4)
- (H) M6 x 16 Screw (x4)
- (I) M6 x 40 Screw (x4)
- (J) Mount Base (x1)
- (K) Ceiling Plate (x1)
- (L) Mount Arm (x4)
- (M) Mount Body (x1)

TOOLS REQUIRED

- Phillips Screwdriver
- Electric Drill
- Drill Bit (for Wood Installations)
- Stud Finder (for Wood Installations)
- Masonry Bit (for Concrete Installations)
- Marking Pen
- Hammer



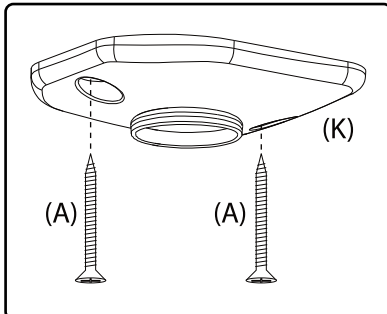
Installation Instructions

1. ATTACHING CEILING PLATE

⚠ WARNING

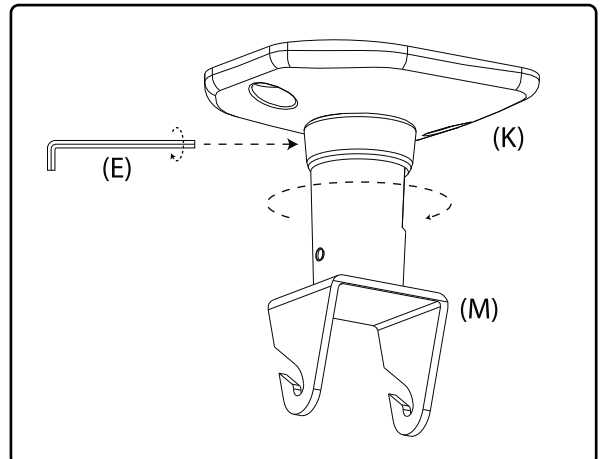
- If you are not installing into a concrete ceiling, make sure that you screw directly into a wooden joist or other adequate support.

1. Attach the Ceiling Plate (K) to the ceiling using the Drywall Screws (A). If you are installing into a concrete ceiling, also use the Concrete Anchors (B).



2. ATTACHING MOUNT BODY

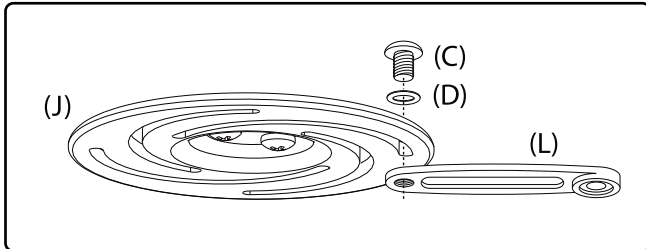
1. Screw the Mount Body (M) onto the Ceiling Plate (K) by turning it clockwise. Tighten the safety screw(s) using the Allen Key (E).



Installation Instructions

3. CONNECTING MOUNT ARMS & PROJECTOR

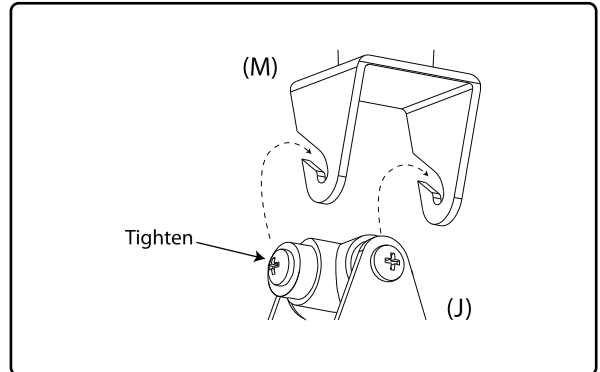
1. Secure the Mount Arms (L) to the Mount Base (J) using the Arm Screws (C) and Washers (D). Leave the Arm Screws (C) loose so that you can adjust them when attaching the projector.



2. Attach your projector to the Mount Arms (L) using the correct bolt from the hardware kit (F, G, H, or I). If none of these bolts fit, check with the manufacturer of your projector for the proper size. Once attached, make sure all screws and bolts are snug.

4. COMPLETING ASSEMBLY

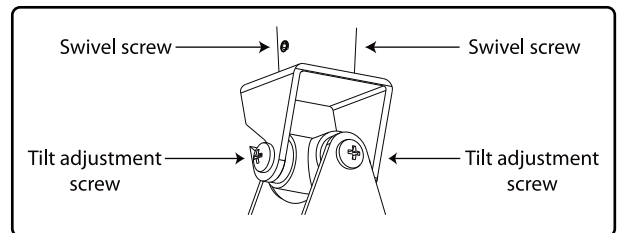
1. Carefully hook the Mount Base (J) with your projector attached to the Mount Body (M). Tighten the screws on both sides of the Mount Base (J) to prevent the projector from being knocked off the Mount Body (M). Installation is now complete.



Adjustment

1. To change the tilt of your projector, first loosen the screws located on both sides of the Mount Base. Move the projector into the desired position and re-tighten the screws.
2. To change the direction your projector faces, first loosen the swivel screws using the Allen Key (E). Turn the projector to the desired direction and retighten the screws.

WARNING: When adjusting the direction, only turn the mount enough to reach the desired direction. DO NOT CONTINUALLY TURN THE PROJECTOR IN A COUNTER-CLOCKWISE DIRECTION! This can cause the mount to come apart and may cause injury or damage.



**PLEASE INSPECT THE MOUNT EVERY TWO MONTHS
TO ENSURE THAT ALL SCREWS ARE TIGHTENED PROPERLY.**

If you have any doubts regarding installation, be sure to consult with a professional.



Designed & Manufactured by Skywalker Communications
Headquarters: 9390 Veterans Memorial Parkway, O'Fallon, MO 63366 USA
(800) 844-9555 info@skywalker.com

