



INSTALLATION INSTRUCTIONS

**ROY7502b Full Motion Wall Mount
(for LCD, Plasma, & LED displays)**

Fits Screens 26" - 46"

Max VESA: 400x400

Profile: 2.3" - 13.1"




**TILT ANGLE
0° - 15°**

**SUPPORTS
UP TO 100LBS**

NOTE: Read entire instruction sheet before you start installation and assembly

WARNING

- If you are unsure of any part of the process, contact a professional contractor or installer for assistance. Improper installation can result in injury or damage.
- The wall or mounting surface must be capable of supporting the combined weight of the mount and the display; if not, the structure must be reinforced.
- Locate pipes, wires, or any other hazards in the wall where you wish to install the mount before drilling.
- Safety gear and proper tools must be used. Failure to do so can result in injury or damage.
- A minimum of two people are required for installation. Do not attempt to install this mount alone under any circumstances.
- Follow all instructions and recommendations regarding adequate ventilation and suitable locations for mounting your display. Consult the owner's manual regarding your particular display for more information.

 **CAUTION:** This wall mount is intended for use only with the maximum weight of 45 kg (100 lbs). Using this mount to support weights exceeding the indicated maximum may result in instability causing possible injury.

Component Checklist

BOX CONTENTS

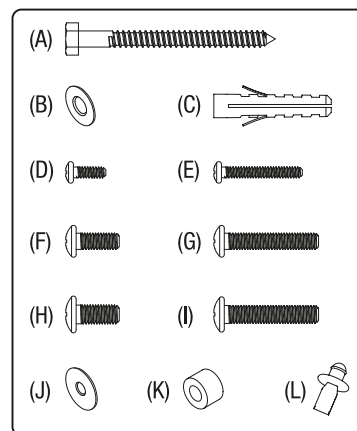
- Full-motion Mount (x1)
- Mount Arm (x2)
- Instruction Manual (x1)
- Hardware Kit (x1)

TOOLS REQUIRED

- Phillips Screwdriver
- 13mm (1/2") Socket
- Electric Drill
- 6mm (1/4") Drill Bit (for Wood Installations)
- Stud Finder (for Wood Installations)
- 10mm (3/8") Masonry Bit (for Concrete Installations)
- Marking Pen
- Hammer
- Level

HARDWARE KIT

- (A) M8 x 63 Lag Bolt (x4)
- (B) Lag Bolt Washer (x4)
- (C) Concrete Anchor (x4)
- (D) M4 x 12 Screw (x4)
- (E) M4 x 20 Screw (x4)
- (F) M6 x 12 Screw (x4)
- (G) M6 x 30 Screw (x4)
- (H) M8 x 12 Screw (x4)
- (I) M8 x 30 Screw (x4)
- (J) M6 Washer (x4)
- (K) Spacer (x8)
- (L) Safety Stopper (x2)



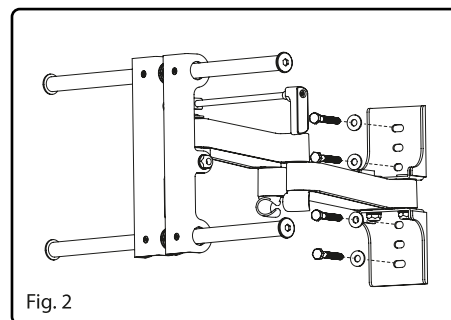
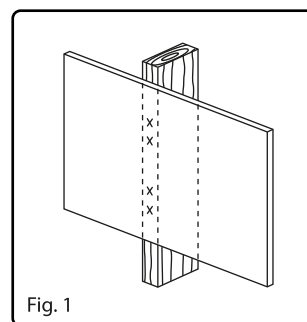
Installation Instructions

1.1 WOOD STUD WALL MOUNTING

WARNING

- For safety reasons, this mount must be secured to a wood stud capable of supporting the combined weight of the mount and display. Do not mount to drywall alone.

1. Use a high quality stud finder to locate a stud where you wish to install your mount. Mark both edges of the stud to help identify the exact center. **NOTE:** You must use the center of the stud to avoid cracking or splitting the wood during installation.
2. Place the mount against the wall over the marked stud. Make sure it is level.
3. While another person holds the mount in place, mark four locations (two at the top and two at the bottom) for securing the mount to the wall. (see Fig. 1)
4. Set the mount aside and drill a 6 mm (1/4") pilot hole at each marked location.
5. Place the mount against the wall over the drilled holes, making sure the arrow on the mount points up. Attach the mount to the wall using the lag bolts (A) and lag bolt washers (B) provided. (see Fig. 2) **Do not over-tighten these bolts and do not release the mount until all bolts are in place.** Ensure that the mount remains level after all bolts are secured.



1.2 SOLID BRICK AND CONCRETE BLOCK MOUNTING

WARNING

- For safety reasons, the concrete wall must be capable of supporting the combined weight of the mount and the display. The manufacturer takes no responsibility for failure caused by walls of insufficient strength.

1. Place the mount against the wall in the desired location. Make sure it is level.
2. While another person holds the mount in place, mark four locations (two at the top and two at the bottom) for securing the mount to the wall. (see Fig. 3)
3. Set the mount aside and drill a 10 mm (3/8") hole at each marked location. Remove any excess dust from the holes.
4. Insert a concrete anchor (C) into each hole so that it is flush with the concrete surface. (see Fig. 4) A hammer can be used to lightly tap the anchors into place if necessary. **NOTE:** If the concrete wall is covered by a layer of plaster or drywall, the concrete anchor must pass completely through the layer to rest flush with the concrete surface.
5. Place the mount against the wall over the drilled holes, making sure the arrow on the mount points up. Attach the mount to the wall using the lag bolts (A) and lag bolt washers (B) provided. (see Fig. 5) **Do not over-tighten these bolts and do not release the mount until all bolts are in place.** Ensure that the mount remains level after all bolts are secured.

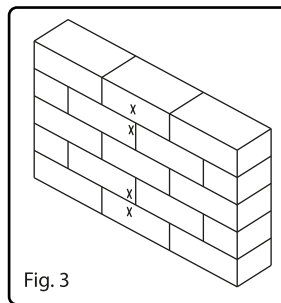


Fig. 3

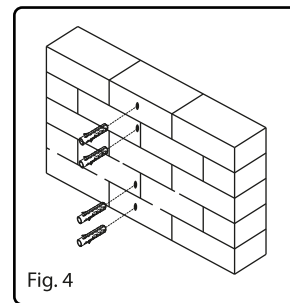


Fig. 4

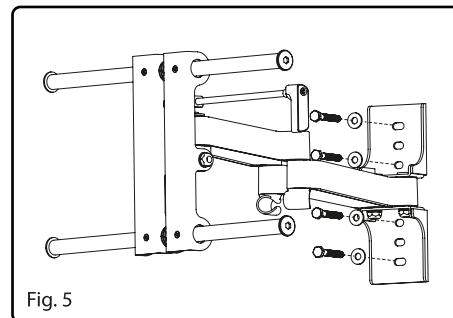


Fig. 5

2.1 ATTACHING MOUNT ARMS TO THE DISPLAY

WARNING

- Use extra care during this part of the installation. If possible, avoid placing your display facedown as it may damage the viewing surface.

NOTE: This mount comes with a selection of different screw diameters and lengths to accommodate a wide variety of display models. Not all of the hardware in the kit will be used. If you cannot find the appropriate screw size in the kit provided, consult the manufacturer of your display for more information.

1. Determine the correct screw length to use by examining the back of your display:
 - A. If the back of your display is flat and the mounting holes are flush with the surface, you will use the shorter screws (D, F or H) from the hardware kit.
 - B. If the back of your display is curved, has a protrusion, or if the mounting holes are recessed, you will need to use the longer screws (E, G or I) and may also need to use the spacers (K).
2. Determine the correct screw diameter to use by carefully trying one of each size (M4, M6 and M8) from the hardware kit. Do not force any of the screws – if you feel resistance stop immediately and try a smaller diameter screw.
3. Attach the mount arms to the back of your display using the screws identified in steps 1 and 2 (see Fig. 6):
 - A. If you are using the M4 or M6 screws you will also need to use the M6 washers (J). M8 screws do not require washers.
 - B. If you are using the longer screws on a display with a curved or recessed back, you may also need to use the spacers (K). Use one spacer or two spacers stacked as needed. Only use a spacer if necessary.

NOTE: The mount arms must be attached with the safety tabs facing outward (i.e. away from the middle of the display). (see Fig. 7) Otherwise, the safety tabs cannot be easily accessed.

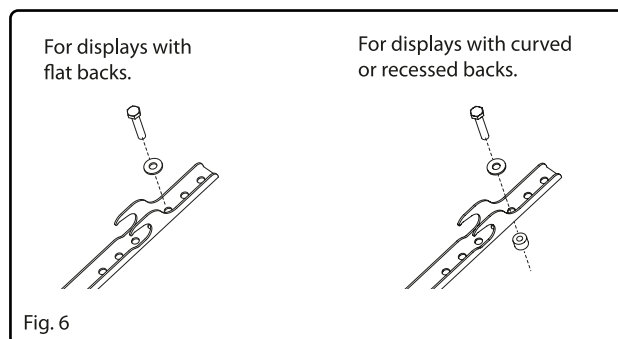


Fig. 6

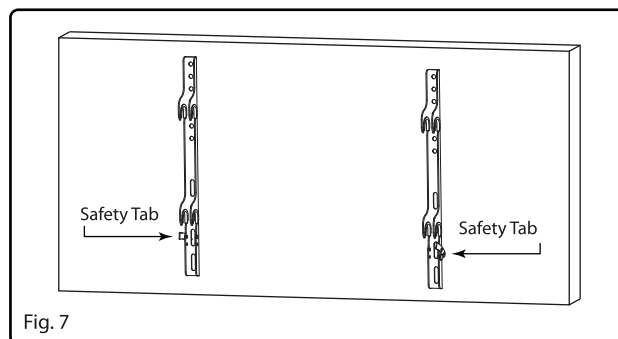


Fig. 7

Installation Instructions

3.1 FINAL ASSEMBLY

1. With the help of another person, carefully lift your display and place it on the mount. **Do not release the display until the mount arms have securely hooked onto the mount.**
2. Move the safety tab located on each arm into position so that it prevents the display from being lifted from the mount. Insert a safety stopper (L) into each tab to keep it in place. A padlock (not included) can be used in place of one of the safety stoppers to help prevent unwanted removal of the display.

WARNING

- The safety tabs and stoppers must be used at all times to prevent the display from being accidentally knocked from the mount.

3. Cables can be routed through the hooks located on the mount to keep them organized and out of the way.

Operation and Adjustment

1. To change the tilt angle of your display, have one person hold the display firmly in place while another person loosens the tilt knob located on the right side of the mount. Once loosened, you may move your display to the desired position. Re-tighten the tilt knobs to lock the tilt angle in place. **Do not release the display until the tilt knobs are fully tightened.**

NOTE: The tilt adjustment knobs have a ratchet feature. If you need to change the position of the knob without tightening or loosening it, simply pull the knob outward before turning.

2. Periodically clean your mount with a dry cloth. Inspect all screws and hardware at regular intervals to ensure that no connections have become loose over time. Re-tighten as needed.

**PLEASE INSPECT THE MOUNT EVERY TWO MONTHS
TO ENSURE THAT ALL SCREWS ARE TIGHTENED PROPERLY.**
If you have any doubts regarding installation, be sure to consult with a professional.



Designed & Manufactured by Skywalker Communications
Headquarters: 9390 Veterans Memorial Parkway, O'Fallon, MO 63366 USA
(800) 844-9555 info@skywalker.com

