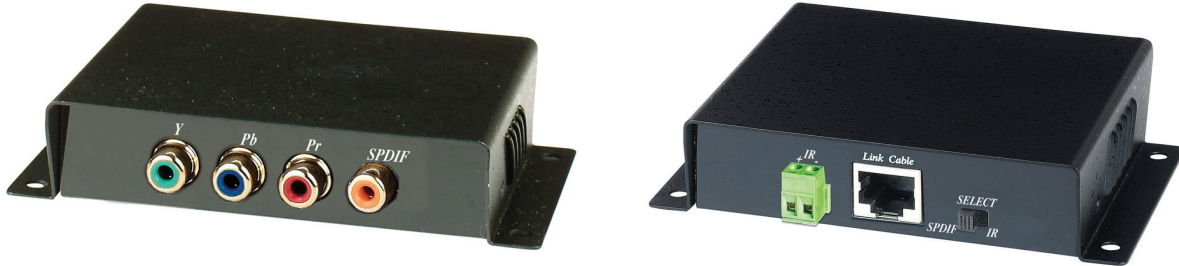


## Component Video & Digital Audio CAT5 Extender

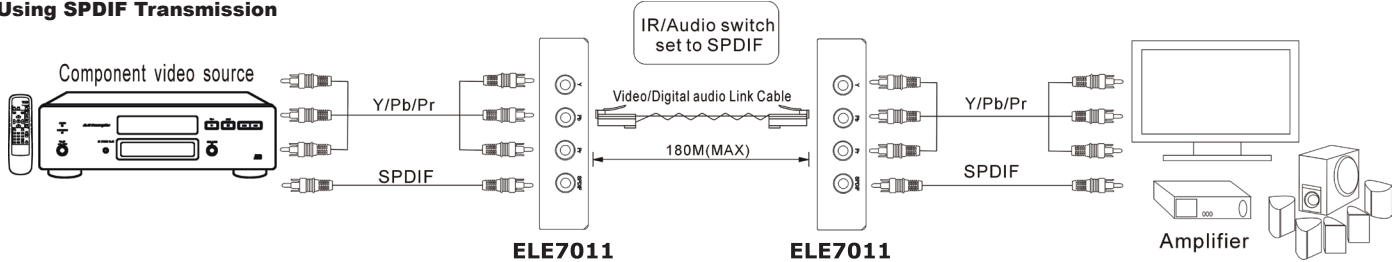


The Component Video & Digital BALUN is designed for component video signal (Y, Pb, Pr) and one digital audio be transmitted via cost effective one CAT5 UTP cable. Used in pairs, the Component Video/Digital Audio BALUN supports 480i/480p/720p/1080i video formats for hi-definition (HDTV) video application. Application for control rooms, multimedia rooms, communications centers, convention facilities, classroom video corporate projection system.

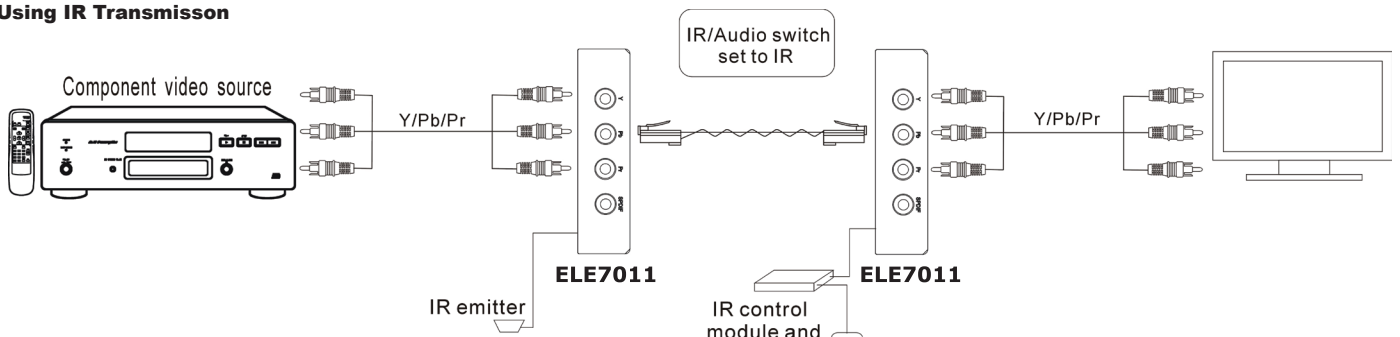
### ELE7011 Component Video (YPbPr) & Digital Audio CAT5 Extender

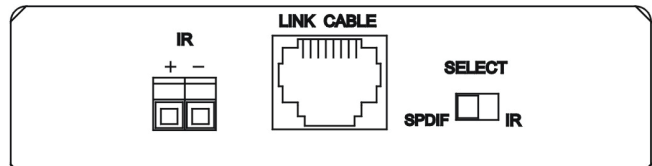
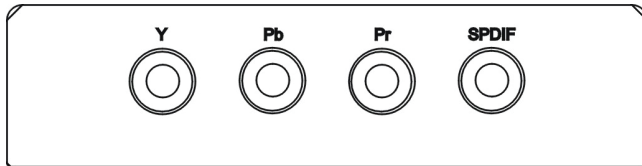
- ◆ Designed for Component video and Digital Audio signal transmission over one CAT5 UTP cable.
- ◆ **Passive device, no power needed.**
- ◆ Up to 300 meters for video and 180 meters for Digital audio.
- ◆ Support up to HDTV. ( 480i /480p/720p/1080i)
- ◆ Perfect for DVD, VCR, DVR, TV, Satellite receivers, monitors, home theatre and other equipments supporting component video

#### Installation View: Using SPDIF Transmission



#### Using IR Transmisson





## Specification:

ITEM NO.	ELE7011
VIDEO INPUT (RCA Connector)	Green color for Y, Blue color for Pb, Red color for Pr,
Audio Input	RCA connector x1
IR Pass through	2 pin removable terminal
Support	480i /480p/720p/1080i/1080p
Bandwidth	Video: 60Mz, 3dB roll off, Digital Audio: 25MHz, 1dB roll off
Maximum Input	1.0Vp-p , 75 Ohms
Insert Loss video	1dB for 0.1Mhz. Gradually increasing to 3.0dB over the frequency range
Return Loss video	Greater than 15dB over the frequency range
Common Mode Rejection video	- 55db max.
Power	X
Distance	Video:1080p at 50m,480i at 300m SPDIF:180M
CABLE FOR RJ-45	Twisted Pair CAT 5 (AWG24)
Temperature	Operation: 0 to 55°C, Storage: -20 TO 85°C, Humidity: up to 95%
Dimensions W x H x D mm	70*133*44
Weight g	300

**RoHS** CE FC