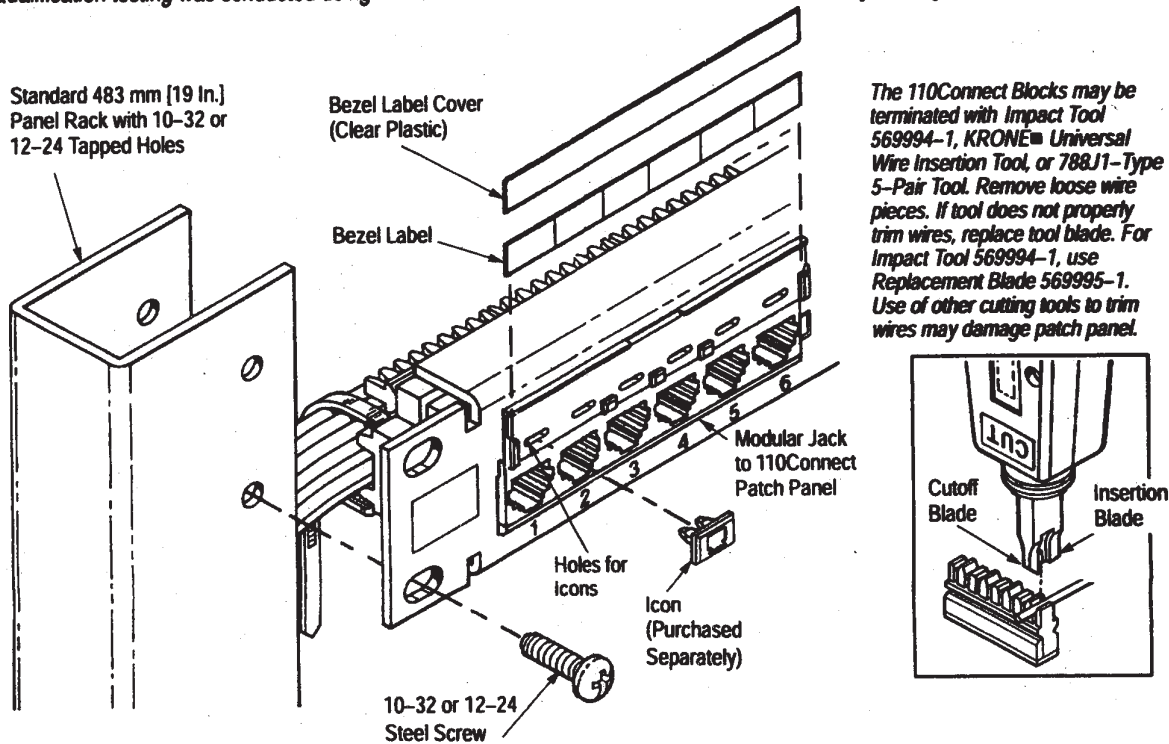


NOTE

Although a 22-26 AWG wire size is recommended, some types of insulation (due to outer diameter measurement or material) may not terminate properly. Outside diameters of 1.27mm [.050 in.] or larger are not typically recommended. Although, depending on the type of insulation, larger diameters may make acceptable terminations. Some wire types falling below 1.27mm [.050 in.] diameter may not terminate properly because of a tougher insulation type. Qualification testing was conducted using 22-26 AWG wire with an outside diameter of 0.91mm [.036 in.].



The 110Connect Blocks may be terminated with Impact Tool 569994-1, KRONE Universal Wire Insertion Tool, or 788J1-Type 5-Pair Tool. Remove loose wire pieces. If tool does not properly trim wires, replace tool blade. For Impact Tool 569994-1, use Replacement Blade 569995-1. Use of other cutting tools to trim wires may damage patch panel.

Figure 1

1. INTRODUCTION

This instruction sheet covers the installation procedures for AMP 110Connect Category 5 Enhanced Modular Universal Wiring Patch Panels. The panels can be mounted on any standard 483 mm [19 in.] equipment rack or communication cabinet as shown in Figure 1.

NOTE

All dimensions are in millimeters [with inches in brackets]. Figures are for reference only and are not drawn to scale.

Reasons for reissue of this sheet are provided in Section 4, REVISION SUMMARY.

2. DESCRIPTION

Each panel includes the necessary mounting hardware, universal T568A/T568B wiring labels, bezel labels, bezel label covers, and cable management cable ties. See Figures 1 and 2.

3. INSTALLATION PROCEDURES (Figure 2)

3.1. General Instructions

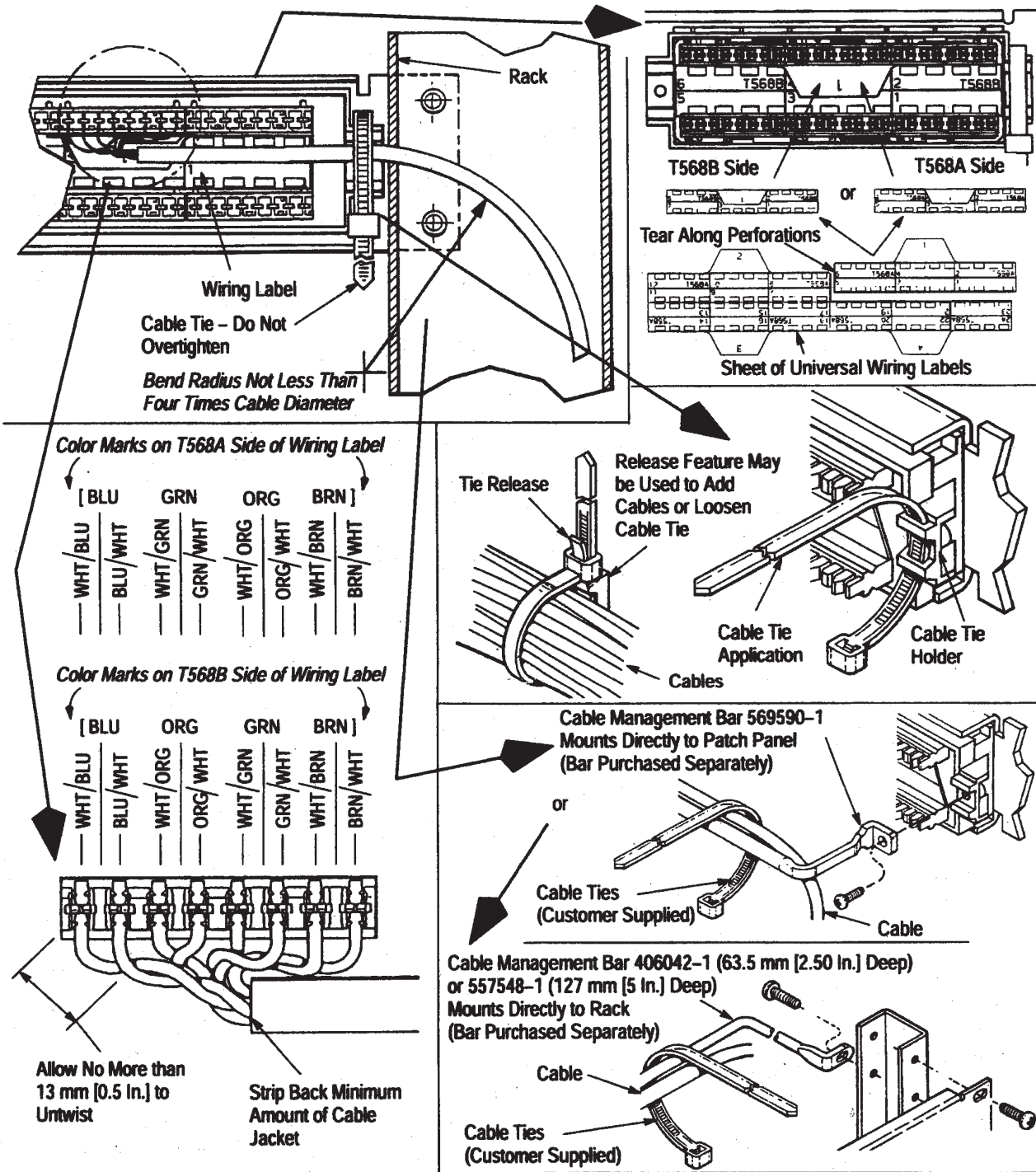
Unpack assembly and install universal wiring labels, with the T568A or T568B side facing up, to match the wiring pattern being used at the outlet. Match label port numbers to port numbers on front of panel. Assemble cable ties or cable management bar(s).

3.2. Special Instructions for Category 5 Enhanced Applications

NOTE

At all times, the wiring practices must comply with practices of ANSI/TIA/EIA-568-A Specification.

Guidelines covered in the above specification and shown in Figure 2 must be followed.



4. REVISION SUMMARY

Revisions to this document include:

Per EC 0990-0208-99:

- Added note in Figure 1