

# INSTRUCTION MANUAL | CON9008

## 24-port Cat5e Rack-Mount Patch Panel

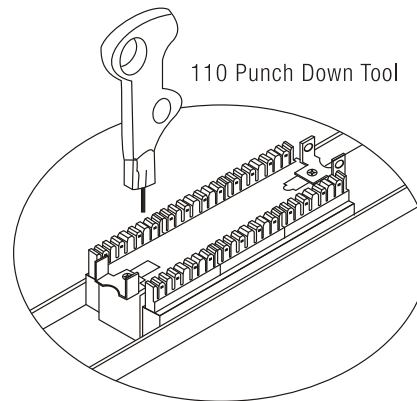
Congratulations on the purchase of your new Construct Pro 24-Port Cat5e Rack Mount Patch Panel. We appreciate you, our valued customer, and are proud to announce our commitment to providing you with simple solutions for every installation. The CON9008 is an excellent source for nearly every installation project. It is uniquely designed to give you highest level of performance possible. Construct Pro offers a wide range of high performance products and quality solutions.

**IMPORTANT NOTES:** Be sure to read and understand all instructions · Product not intended for use in a wet environment · Do not install product during storms where lightning is present · Do not touch live wires during installation · Use caution during every installation and/or system modification.

**TROUBLESHOOTING:** For technical assistance, contact your authorized Construct Pro dealer or Construct Pro customer service at 800.844.9555

### INSTALLATION:

- 1 Install the panel in the rack.
- 2 Punch down all wires using the configuration of your choice (see table)
- 3 Route patch cables from the front of the block to the necessary components.



Punch Down Terminals	T568A Wire Color	T568B Wire Color
PIN-1 PIN-2	WHITE/GREEN GREEN	WHITE/ORANGE ORANGE
PIN-5 PIN-4	WHITE/BLUE BLUE	WHITE/BLUE BLUE
PIN-7 PIN-8	WHITE/BROWN BROWN	WHITE/BROWN BROWN
PIN-3 PIN-6	WHITE/ORANGE ORANGE	WHITE/GREEN GREEN

