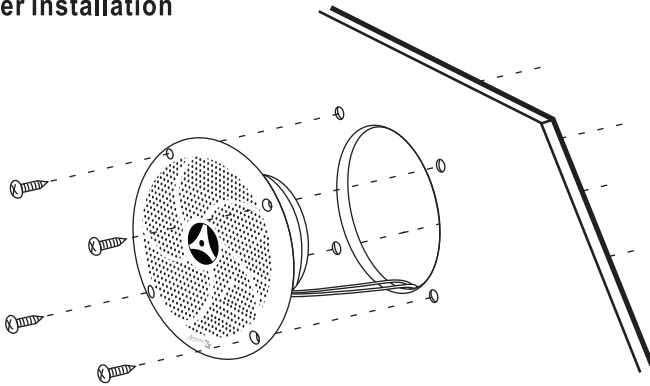


# CHO6503

## 6.5" MARINE TWO-WAY ANTI-UV HIGH PERFORMANCE LOUDSPEAKER

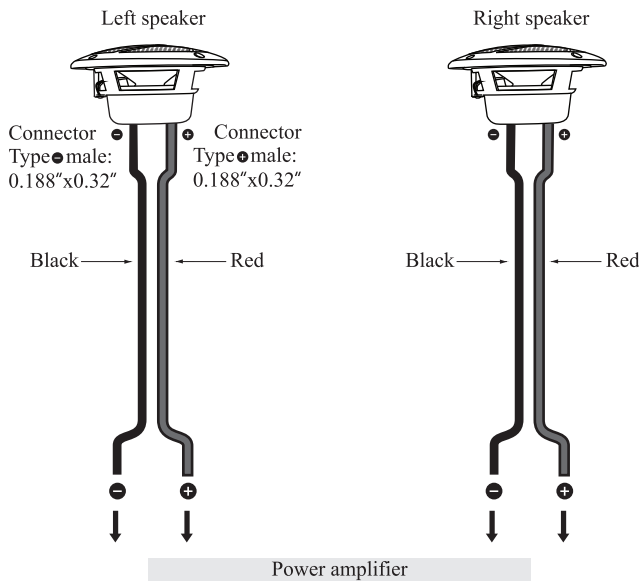
**Choice  
Select  
ULTRA**

### Speaker Installation



Using the drilling template supplied with the unit select the most appropriate location on wall for the speakers. For flush mounting a depth of at least 2.18" (55mm) will be required. Mark the location and with a hole saw make a cutout of 4.38" (109mm) in diameter. As indicated on the template, drill the (4) holes of 0.18" (4.5mm) in diameter. Inset the speaker in place, use 4-m4 screws to fix the speakers.

### Speaker Connections



Connect the speaker terminals to the speaker In terminals on the amplifier

SPECIFICATIONS	CHO6503
Design	Marine Loudspeaker
Driver	6.5" (165mm) Polypropylene Injection Cone with a Rubber Surround
Crossover	Capacitor 4.7uf/50V
Frequency Response	82Hz-20kHz
Impedance	4Ω Nominal, 3.6 Minimum
Power Handling	RMS: 40W, MAX: 80W
Efficiency	Sensitivity (1W/1M): 86dB
Grilles	with ABS and Anti-UV Material Injection with Anti-UV Painting Grille (grilles may be painted to match your decor)
Dimensions	7" Diameter x 3.15" Depth

