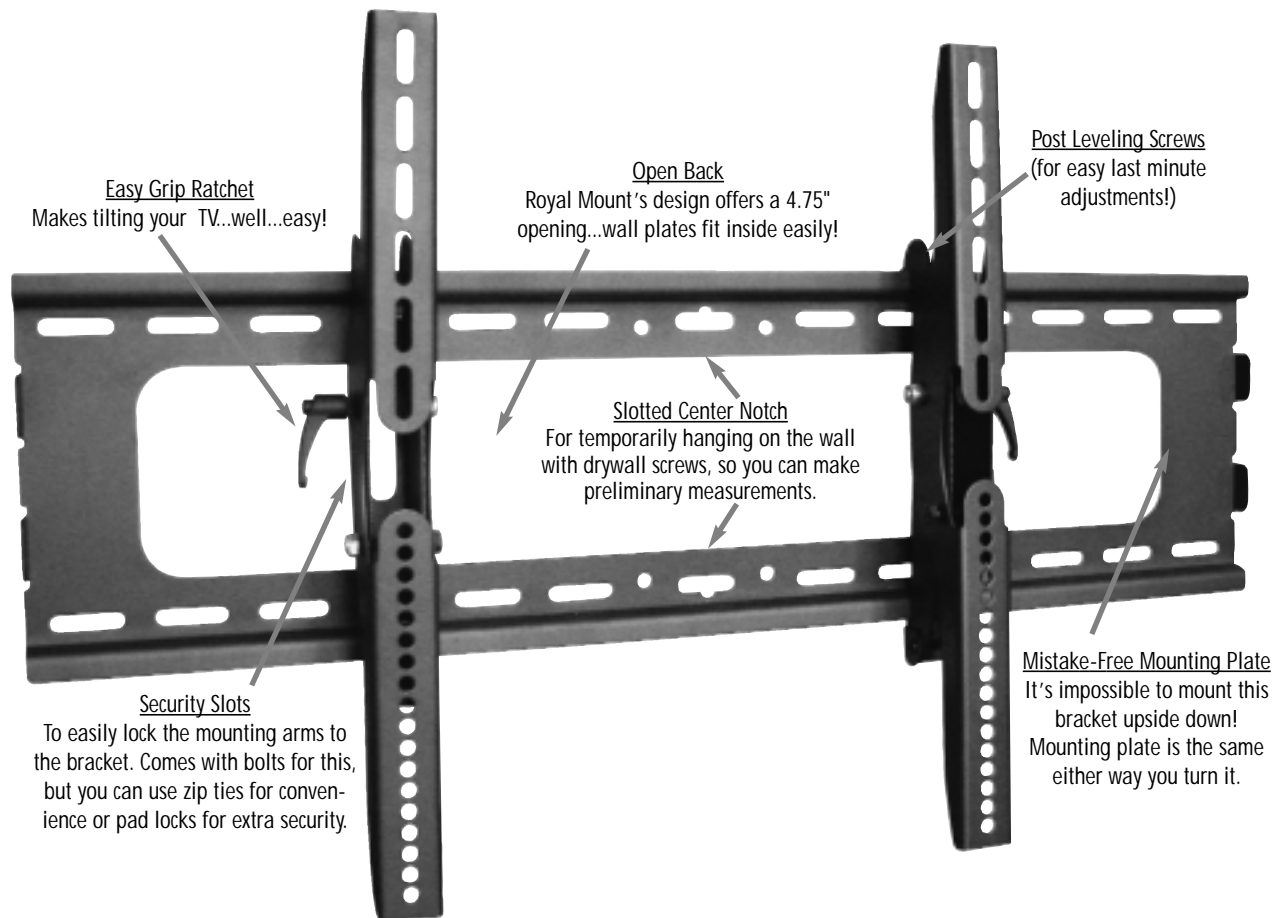


Choice Select

CH05320b TILT LCD/Plasma Mount for 23"-37" screens

















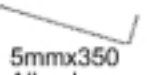
CH05321b TILT LCD/Plasma Mount for 30"-63" screens



**ASSEMBLY INSTRUCTIONS
FOR ADJUSTABLE FLAT PANEL WALL MOUNT**

This product is designed to mount flat panel televisions weighing up to 75 kgs to a vertical firm wall. **Safety Warning:** Before assembly, inspect contents and ensure that there are no missing or defective parts. Never use defective parts. *Improper installation may cause damage or serious injury.* Note: The included hardware is to be used for mounting on walls. If you are uncertain about the nature of your wall, please consult your hardware or installation professional for proper mounting to other types of walls. The supplied hardware is not intended to be used on steel.

WARNING: DO NOT MOUNT ONTO PLASTERBOARD OR paneled walls.

(a)		x1	(b)		x1	(c)		x1	(d)		x6
(e)		x6	(f)		x6	(g)		x1	(h)		x4
(i)		x1	(j)		x1	(k)		x1	(l)		x4
(m)		x1	(n)		x1	(o)		x1	(p)		x4
(q)		x1	<p><i>The parts supplied are exclusive for use with this product. If any parts are missing or faulty, contact your dealer for a replacement.</i></p>								

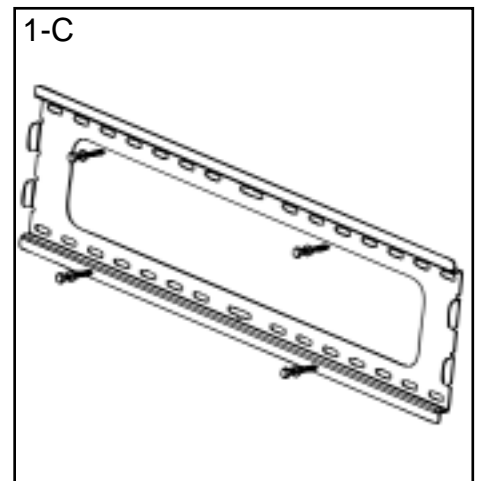
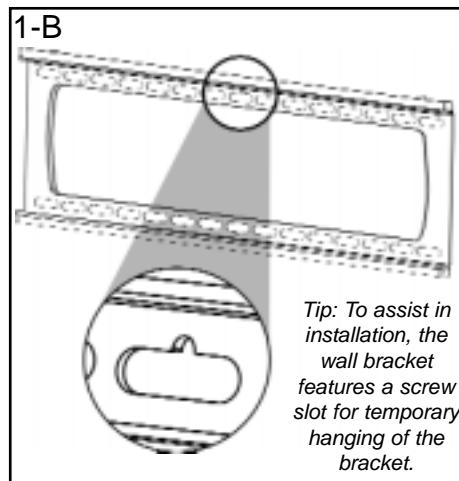
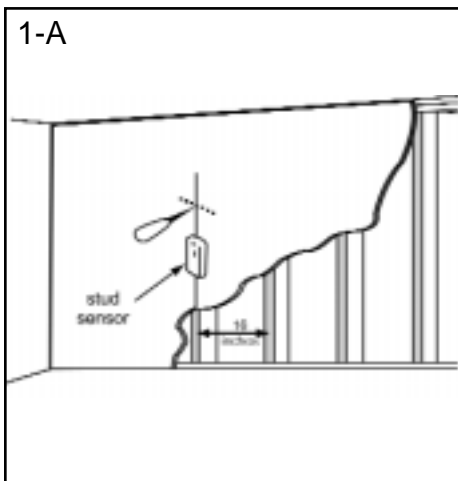
1 FASTEN WALL PLATE TO WALL

Note: This product should be mounted to solid brick, concrete, or hard wood batten/studs wall.

1a: **SOLID BRICK AND CONCRETE BLOCK MOUNTING:** Use the Wall Plate (a) as a template to mark 6 holes locations on the wall. The outer holes must fall to the outside of the two large holes in the middle of the plate. Three in the top row slots and three more in the bottom row. Make sure these holes are level and there is at least 200mm between any two holes. Pre-drill these holes with a 10mm masonry bit to at least 60mm in depth. Insert a Concrete Anchor (f) into each of these holes. Attach the Wall Plate (a) to the wall using 6 Lag Bolts (e) and 6 M6 Washers (d).

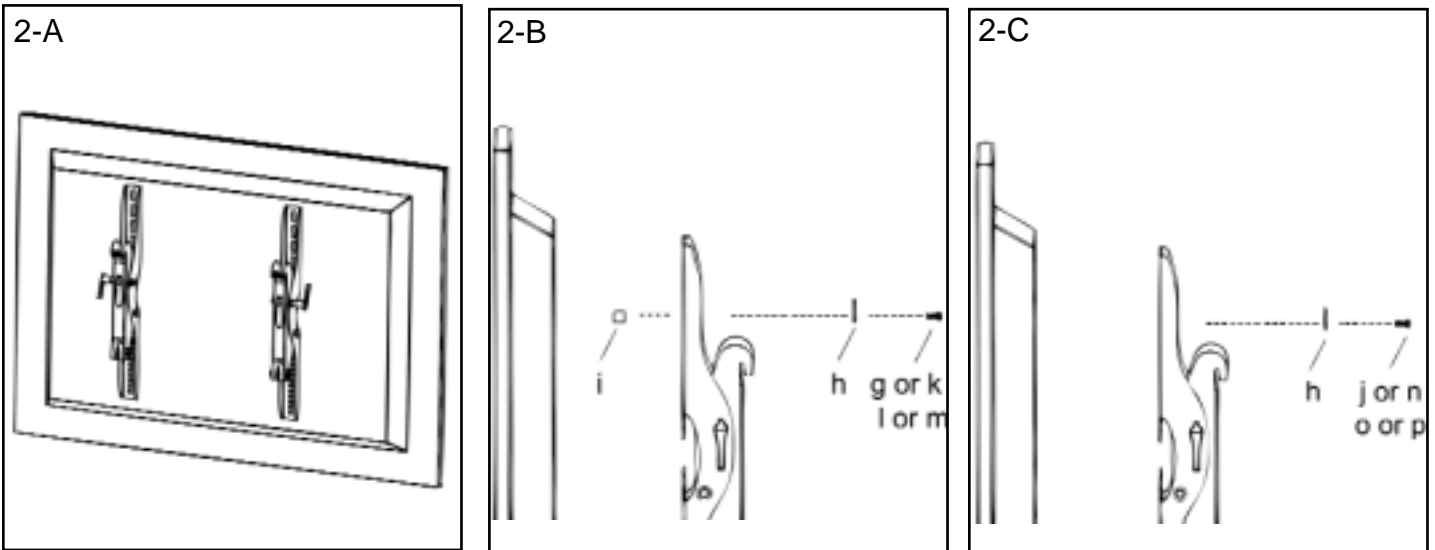
1b: **HARD WOOD WALL MOUNTING:** The Wall Plate (a) **MUST be mounted to two wood studs.** Use a high quality stud sensor to locate three adjacent studs. It is a good idea to verify where the studs are located with an awl or thin nail (as shown in diagram 1-A) Pre-drill a 3mm deep hole at the desired height in each stud using a 4mm drill bit. Use the Wall Plate as a template to mark the location of the second hole in each stud. Pre-drill these holes using the 4mm drill bit as well. Attach the Wall Plate to the wall using the 4 Lag Bolts (e) and 4 M6 Washers (d). Make sure the Wall Plate is oriented so that the flat surface in the center of the plate is against the wall (as shown in diagram 1-C).

Note: Do not use any concrete anchor when you mount the bracket onto hard wood wall.



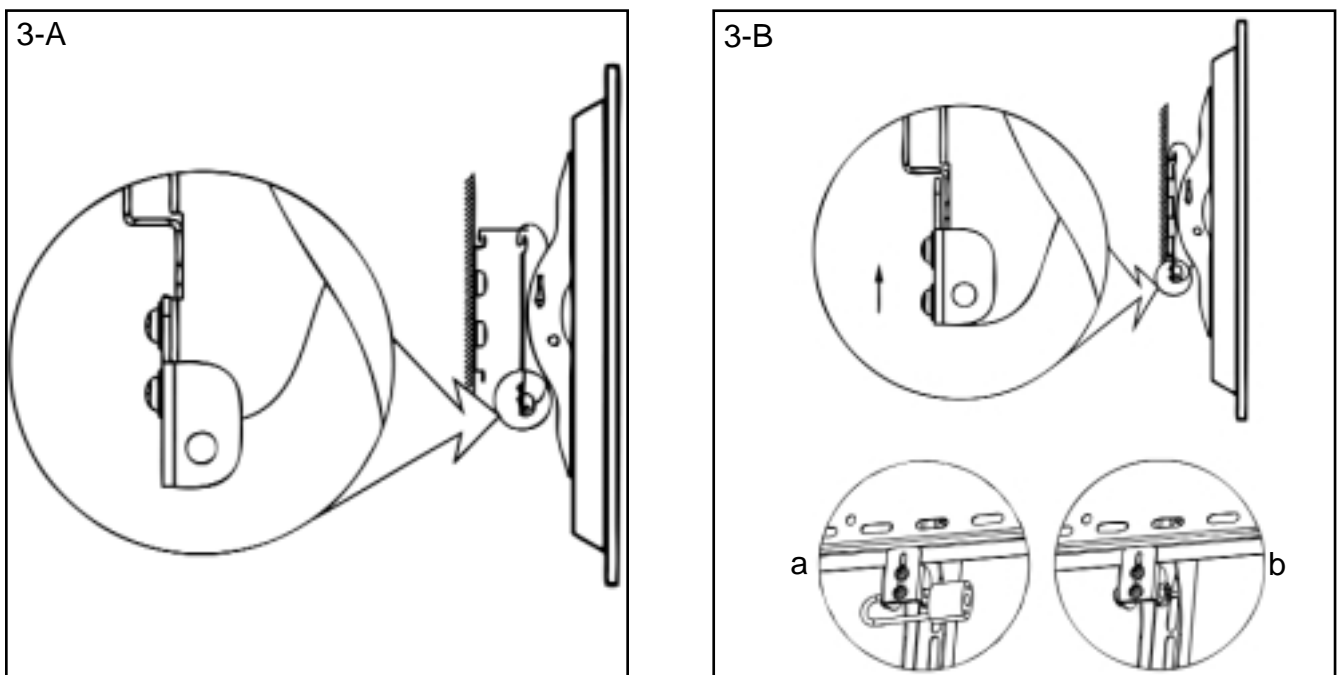
2 MOUNT THE TV RAILS TO THE BACK OF YOUR FLAT PANEL TV:

Make sure the TV rails (b and C) are mounted at an equal distance from the top of the TV and as close to the center as possible (as shown in diagram 2-A). The Adjusting Knobs should face the outside of the screen. M4, M5 M6 and M8 bolts are provided. Plastic Spacers (i) are provided for use with M4, M5 M6 and M8 TV mount bolts for screens with curved or recessed back panels (as shown in diagram 2-B). If you are mounting to a screen with a flat back you will not need a plastic spacer (as show in diagram 2-C). **Make sure these bolts are installed correctly.** Some screens have shallow threaded inserts; 4 extra washers have been provided that you may use to offset this, if the provided bolts are too long. Tighten the adjusting knobs on both TV Rails so that the mechanism does not move during installation.



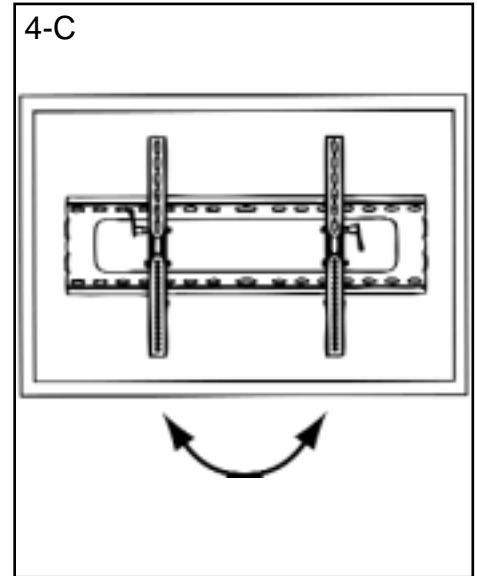
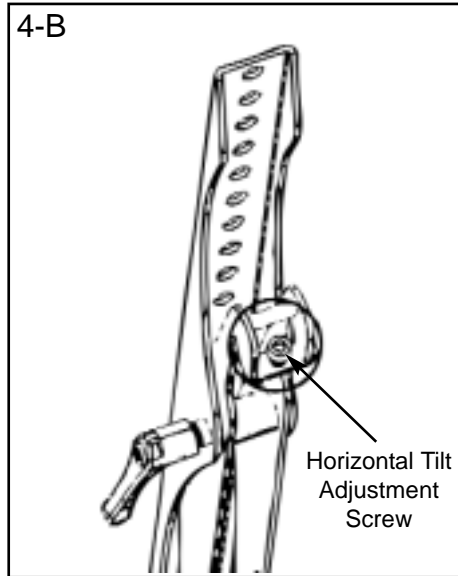
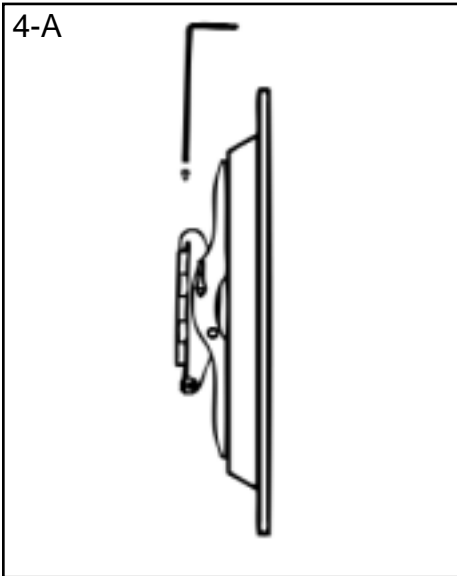
3 HANG THE TV ONTO THE WALL PLATE:

First, hook the TV rail (b and c) over the top of the wall plate (a), then let the bottom of the TV rails rotate (as shown in diagram 3-A). Take up the rock management (as shown in diagram 3-B) so that they can sit behind the bottom tab on the wall plate, and lock (as shown in diagram a or b).



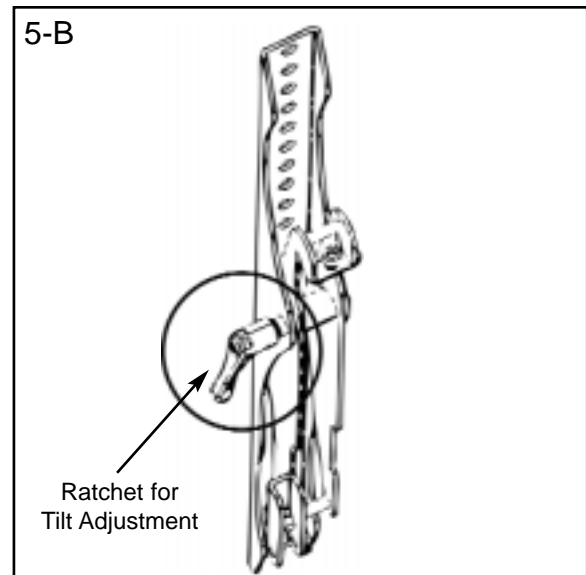
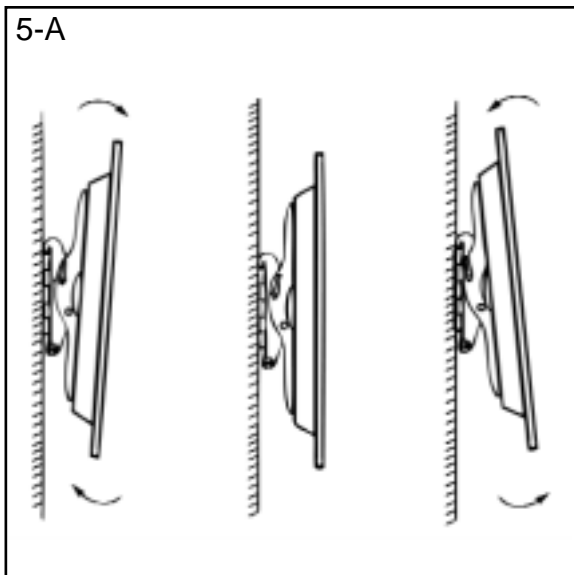
4 HORIZONTAL ADJUSTMENT

Adjust the screen's horizontal position using the allen key (included). Tighten the two screws (as shown in diagrams 4-A, 4-B, 4-C).



5 FORWARD TILT ADJUSTMENT

You can adjust the screen's forward tilt from +5° to -15°. First, loosen one easy-grip ratchet, and then the other. Adjust the Screen to achieve desired tilt. Finally, re-tighten the easy-grip ratchets (as shown in diagrams 5-A and 5-B).



**PLEASE INSPECT THE MOUNT EVERY TWO MONTHS
TO ENSURE THAT ALL SCREWS ARE TIGHTENED PROPERLY.**
If you have any doubts regarding installation, be sure to consult with a professional.

**Choice
Select**

Designed & Manufactured by Skywalker Communications
Headquarters: 9390 Veterans Memorial Parkway, O'Fallon, MO 63366 USA
(800) 844-9555 info@skywalker.com

Skywalker
communications