

# CHO5095

IN-WALL LOUDSPEAKER 8" TWO-WAY  
HIGH PERFORMANCE

**Choice  
Select**  
PLATINUM

## Installation Instructions

### 1. Choosing the Location:

- (1) The mounting surface should be between .37" and 1.2" thick, and with at least 4.3" clearance behind the mounting surface and no wall studs or other objects to block the back of the speaker.
- (2) Use the "speaker cutout template" as a template to mark the cutout hole size and location for mounting the speaker.

### 2. Preparing the Speaker:

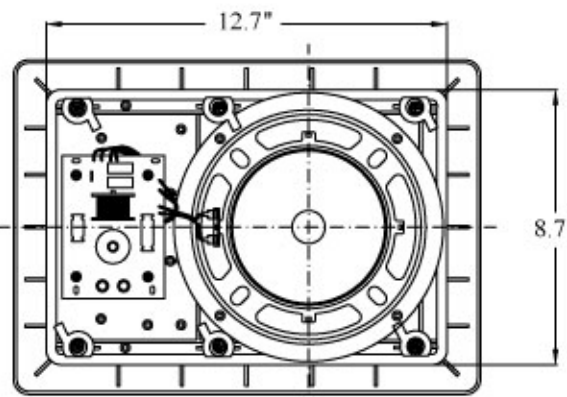
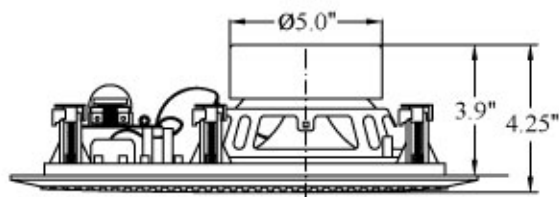
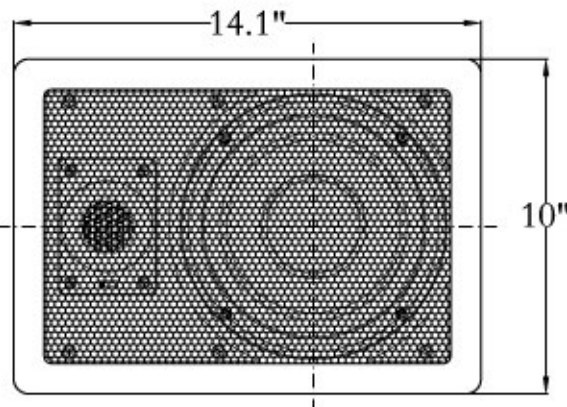
- (1) If you want to paint the plastic frame and grill, paint them before connecting the speaker wire or mounting the speaker.
- (2) To remove the grill, use the grille remover included with the speakers, or insert a paper clip into one of the grill openings then pull up. Or you can twist the plastic frame back and forth until the grill edge becomes exposed, then lift the grill to remove it.
- (3) When painting the frame, remove the grill and insert the supplied Paint masking template to prevent the paint from entering the speaker.

### 3. Connecting the Speaker Wires:

- (1) Route the speaker wire from the receiver to the speaker.
- (2) Separate about 4" of speaker wire at each conductor end.
- (3) Using the wire stripper, remove about 6mm (1/4") of insulation from each wire.
- (4) Twist the ends of each wire to prevent fraying.
- (5) Connect a marked wire to a red speaker terminal by pressing the release tab, inserting the wire into the hole, and then releasing the tab. Repeat this procedure to connect the unmarked wire to the black terminal.
- (6) Connect the marked wire coming from the speaker's red terminal to the red or positive (+) terminal on the amplifier. Then connect the unmarked wire to the black or negative (-) terminal on the amplifier.

### 4. Mounting the Speaker:

- (1) Remove the grill to expose the mounting screws.
- (2) Be sure the mounting tabs are turned in, allowing the speaker to fit into the hole. Then insert the speaker into the mounting hole.
- (3) Use the four screws to tighten the mounting tabs to the wall or ceiling.
- (4) Replace the grill: To remove the speaker from the wall or ceiling by loosening the screws only far enough to remove the speaker. This will prevent loss of the mounting tabs.



SPECIFICATIONS	CHO5095
Design	In-Wall Loudspeaker
Driver	8"(203mm) Woofer Green Kevlar Woven Cone With a Rubber Surround
Tweeter	25mm Silk and Titanium Swivel Dome Tweeter 12dB Crossover 0,-3,-6dB Switch
Crossover	High-End 12dB
Frequency Response	46Hz-20kHz
Impedance	8Ω Nominal
Power Handling	RMS:90W, MAX:180W
Efficiency	Sensitivity( 1W/1M):87dB
Grilles	with Steel Grille(grilles may be painted to match your decor)
Dimensions	10" W x 14.1" H x 4.25" D